



45431 Beryllium Side Window Proportional Counter

GENERAL SPECIFICATIONS

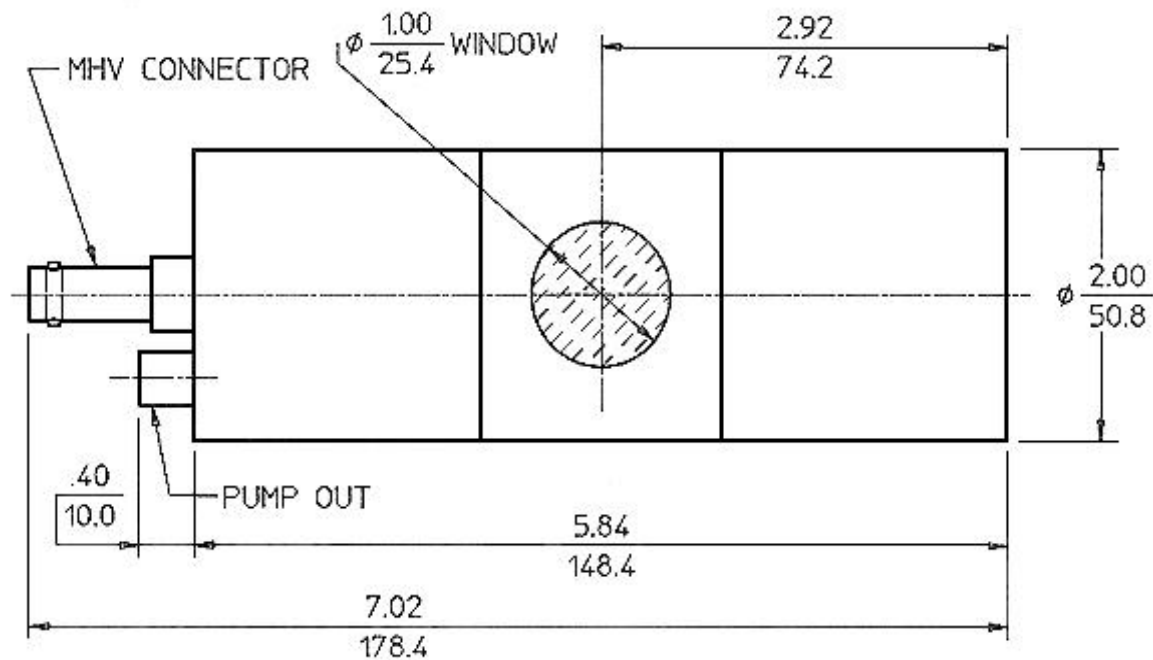
Gas filling	Krypton
Gas pressure (torr)	800
Path length (inch/mm)	1.88/47.8
Cathode material	Aluminum
Maximum length (inch/mm)	7.02/178.4
Effective length (inch/mm)	4.5/114.3
Maximum diameter (inch/mm)	2.00/50.8
Effective diameter (inch/mm)	1.88/47.8
Connector	MHV
Operating temperature range °C	-40 to +75

WINDOW SPECIFICATIONS

Material	Beryllium
Areal density (mg/cm ²)	23
Thickness (inch/mm)	0.005/0.127
Diameter (inch/mm)	1.0/25.4

ELECTRICAL SPECIFICATIONS

Recommended operating voltage (volts)	1800
Operating voltage range (volts)	1700 - 1950
Typical resolution (fwhm Cd109)	10
Capacitance (pf)	3



LND 45431 BERYLLIUM SIDE WINDOW P.C.

