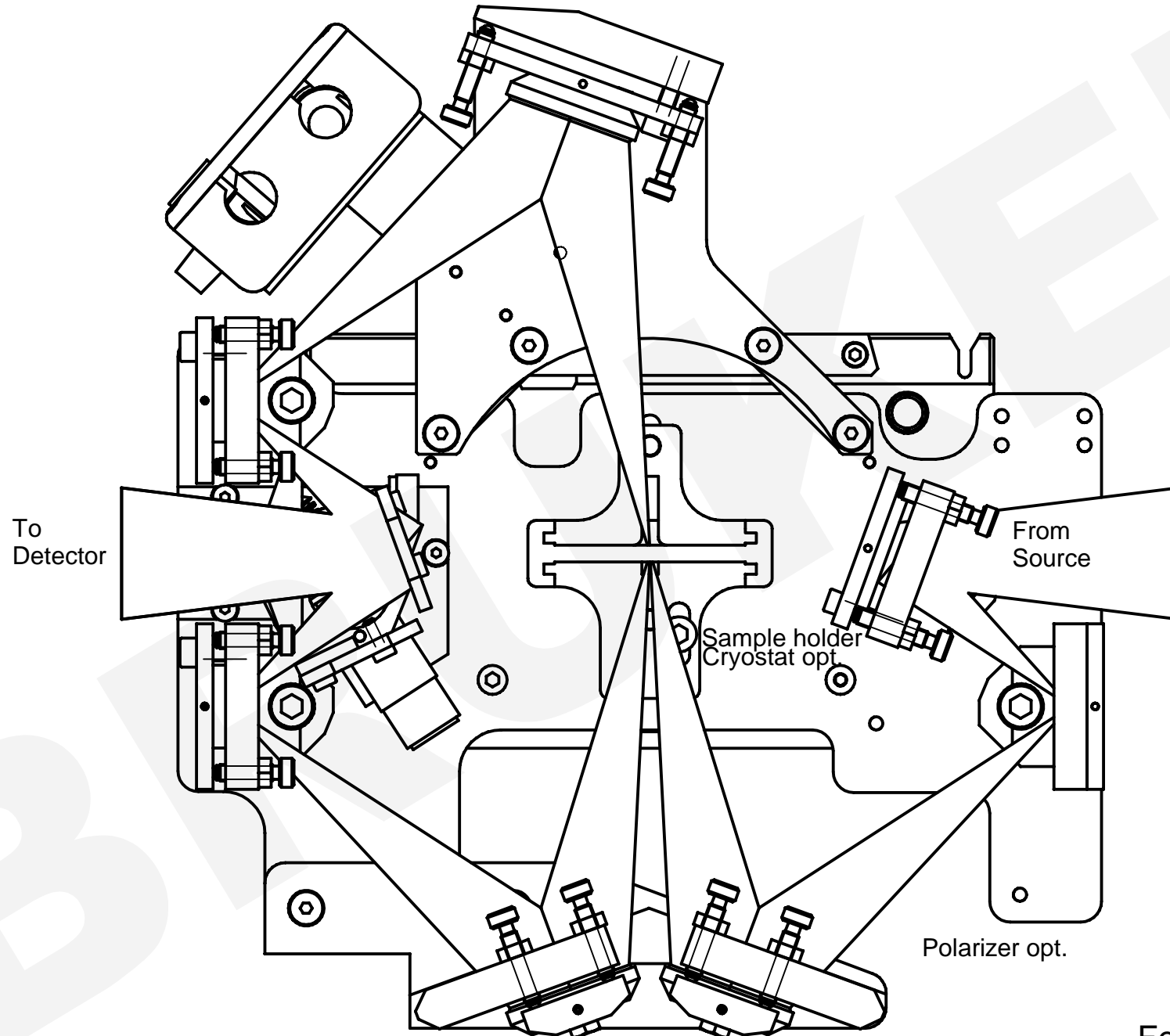


A510/QT - Reflectance Unit



February 26, 2003

